

ISOMETRIC

client:

project: ZINTRA BEAMS

date : 2/02/2023

description: OPEN RAFTER 2X5

assembly name: OPEN RAFTER GA

SKU: ZI.BM.OR2X5.72144

sheet size:

A3

sheet scale:

1:14

page no:

1

rev:

2

drawn by:

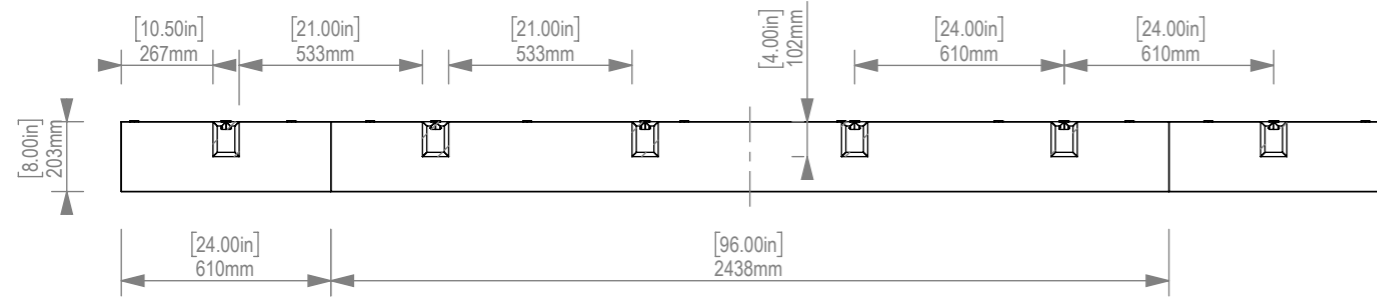
JV

CLIENTS APPROVAL

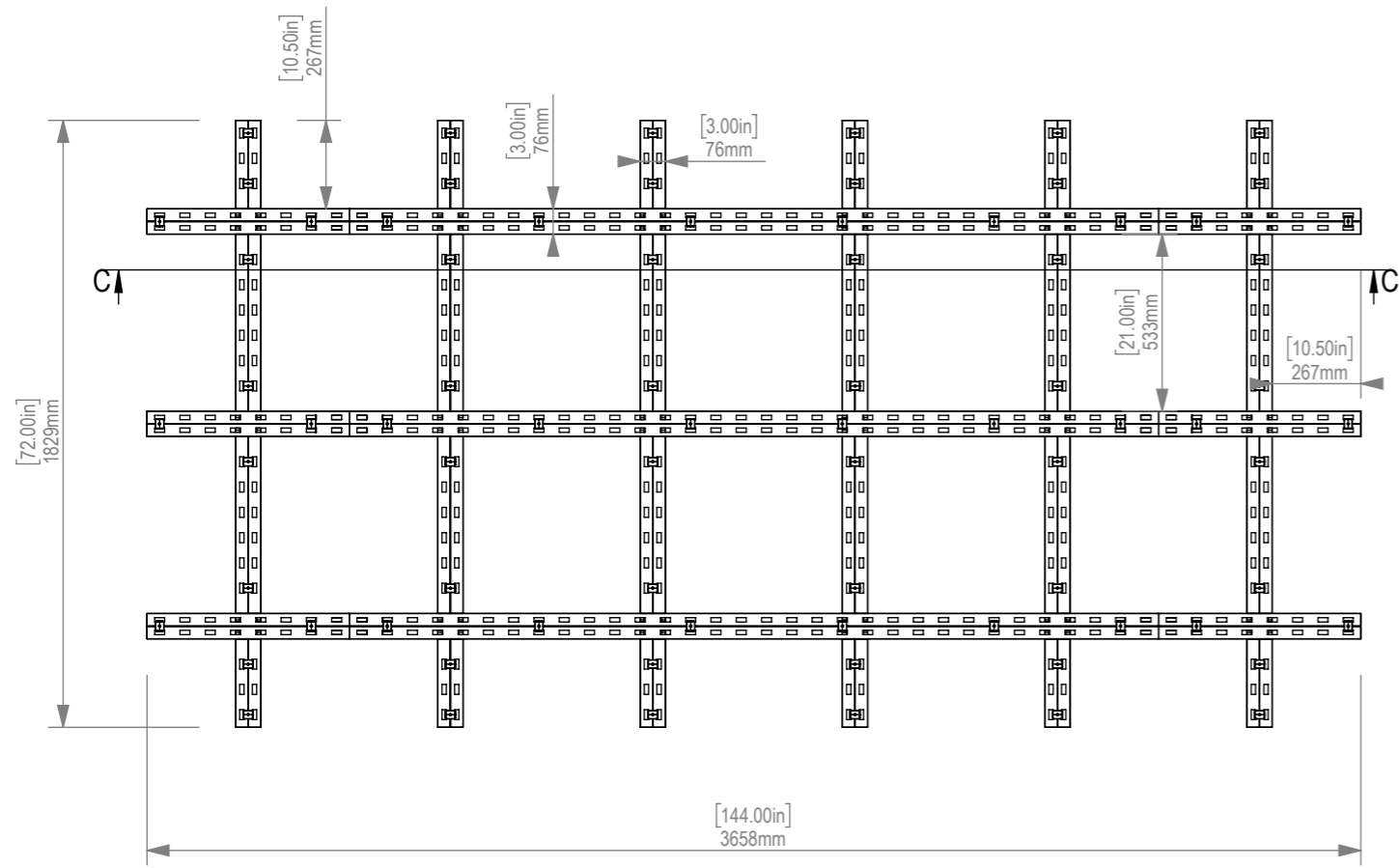
SIGNATURE

DATE

PLEASE MAKE SURE THAT ALL DIMENSIONS AND INFORMATION
MATCHES THE PROJECT AND SIGN FOR APPROVAL

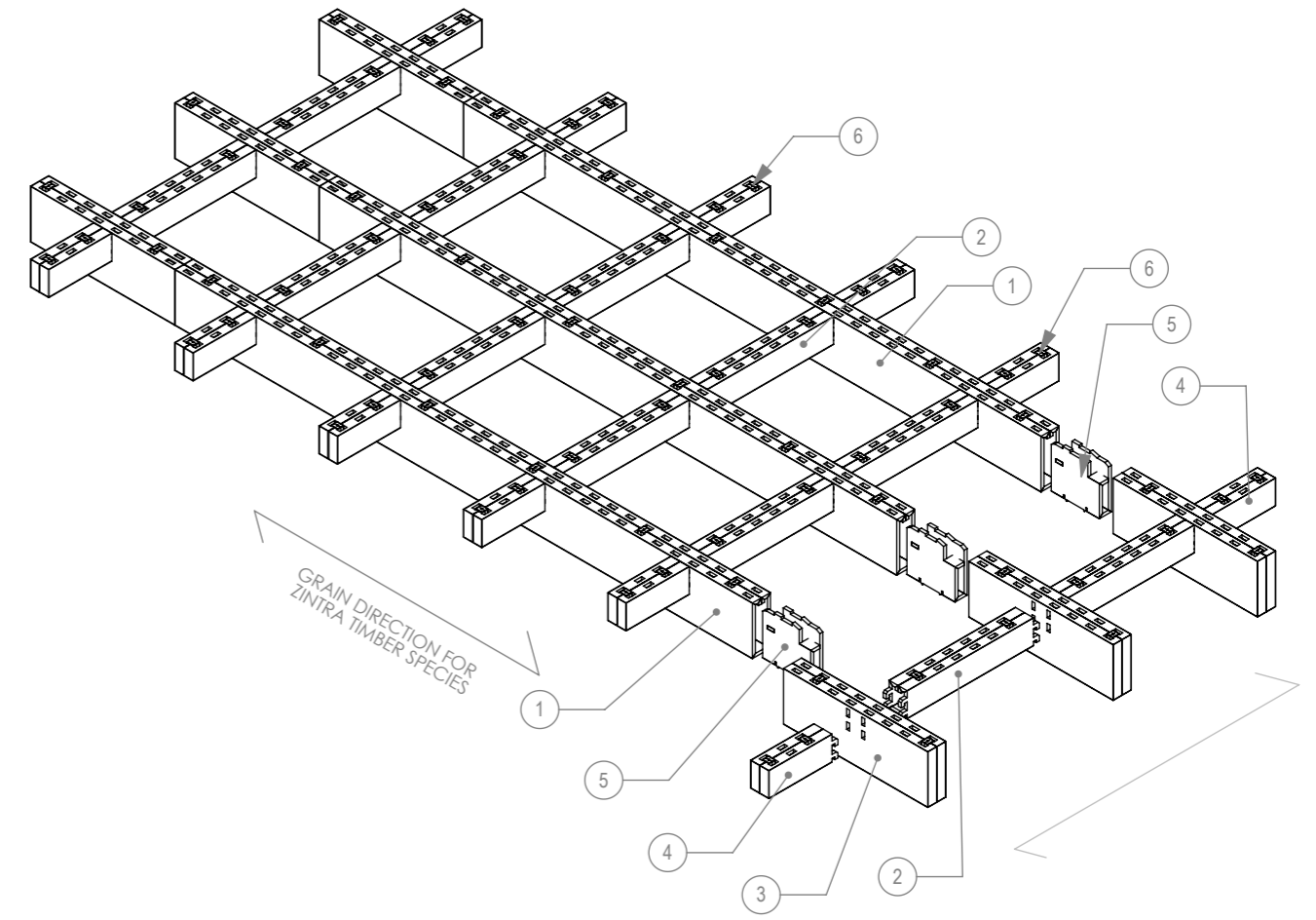


SECTION C-C



TOP VIEW

ITEM NO.	Description	Material	Finish	QTY.
1	96in x 8in Main Beam	ZINTRA	AS PER ORDER	3
2	21in x 4in Connecting Beam	ZINTRA	AS PER ORDER	12
3	24in x 8in End Beam	ZINTRA	AS PER ORDER	6
4	10.5in x 4in End Beam	ZINTRA	AS PER ORDER	12
5	8in Beam Connector	ZINTRA	AS PER OREDER	6
6	BEAMS CLIP	POLYCARBONATE	CLEAR	78



EXPLODED



client:
project: ZINTRA BEAMS
date : 2/02/2023

description: OPEN RAFTER 2X5
assembly name: OPEN RAFTER GA
SKU: ZI.BM.OR2X5.72144

sheet size:
A3
sheet scale:
1:22
page no:
2

rev:
2
drawn by:
JV

CLIENTS APPROVAL

SIGNATURE

DATE

PLEASE MAKE SURE THAT ALL DIMENSIONS AND INFORMATION MATCHES THE PROJECT AND SIGN FOR APPROVAL