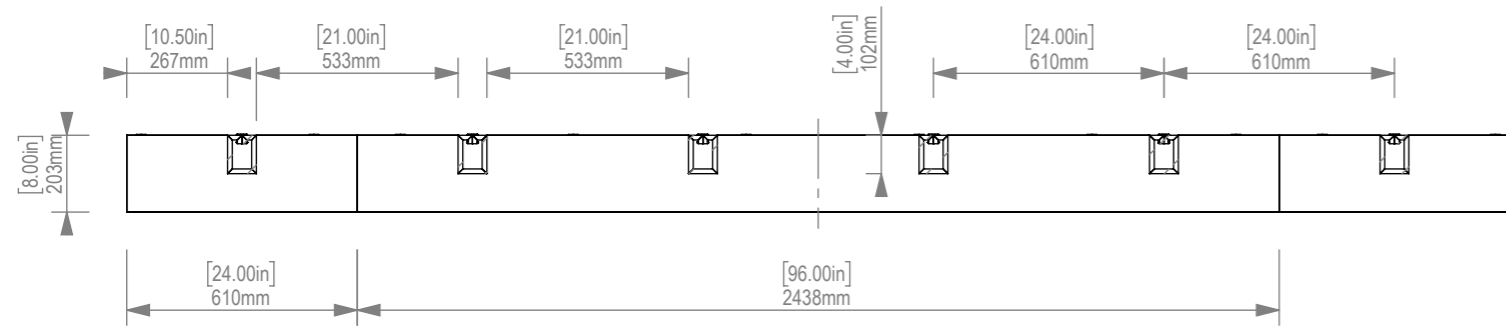
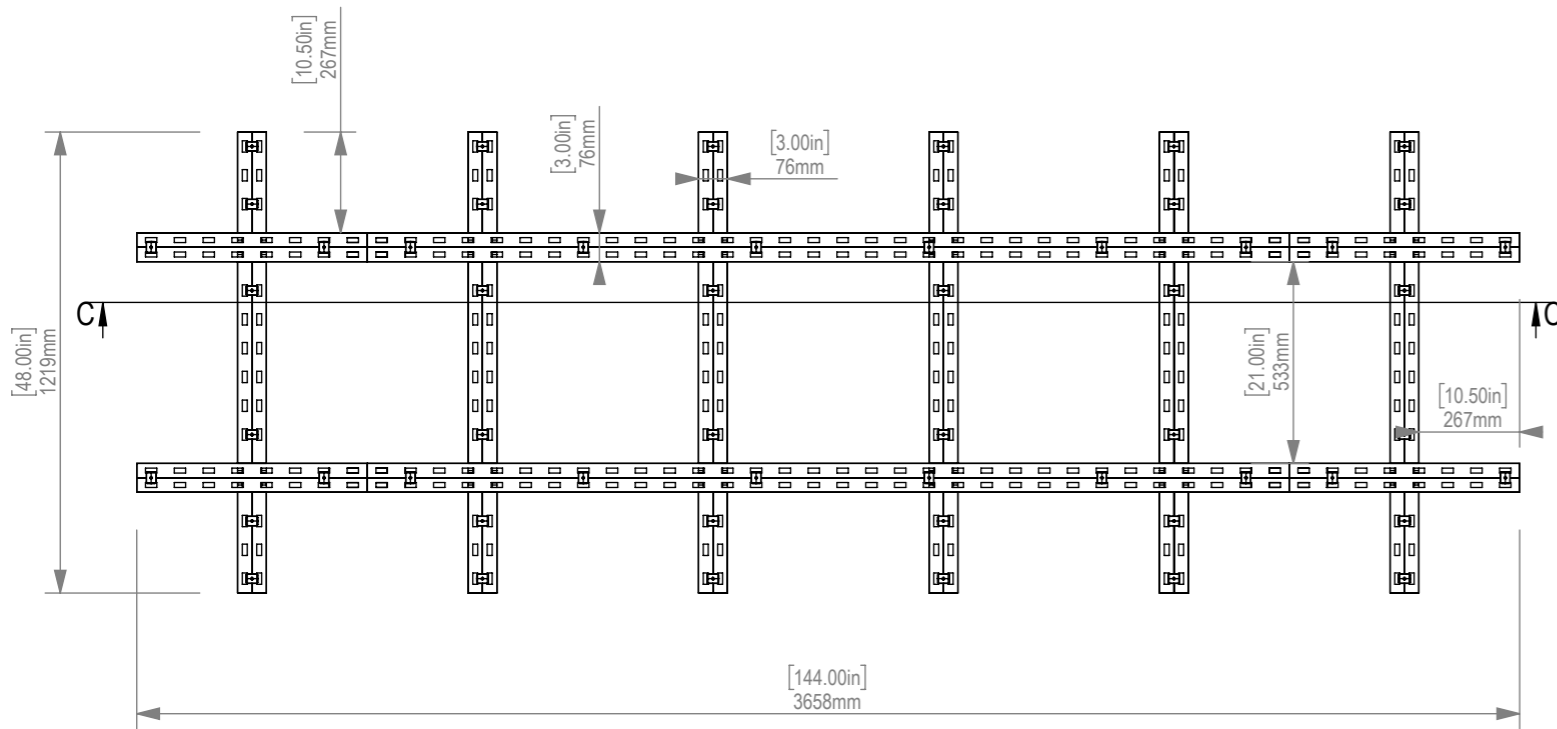


ISOMETRIC

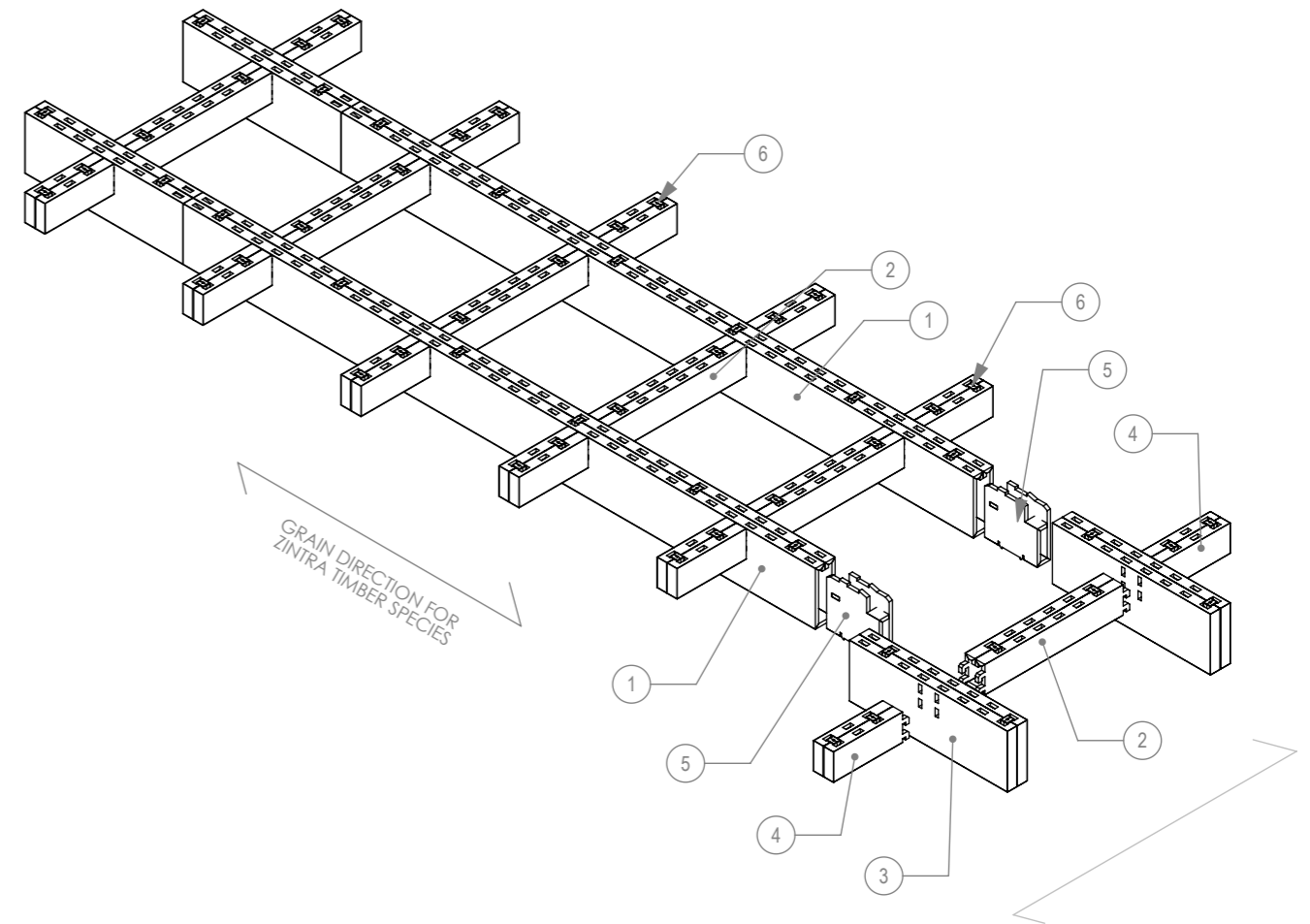


SECTION C-C



TOP VIEW

ITEM NO.	Description	Material	Finish	QTY.
1	96in x 8in Main Beam	ZINTRA	AS PER ORDER	2
2	21in x 4in Connecting Beam	ZINTRA	AS PER ORDER	6
3	24in x 8in End Beam	ZINTRA	AS PER ORDER	4
4	10.5in x 4in End Beam	ZINTRA	AS PER ORDER	12
5	8in Beam Connector	ZINTRA	AS PER OREDER	4
6	BEAMS CLIP	POLYCARBONATE	CLEAR	56



EXPLODED