

ISOMETRIC

client:

project: ZINTRA BEAMS

date : 2/02/2023

description: CLOSED RAFTER 1X5

assembly name: ZINTRA BEAMS CLOSED RAFTER GA

SKU: ZI.BM.CR1X5.27123

sheet size:

A3

sheet scale:

1:14

page no:

1

rev:

drawn by:

JV

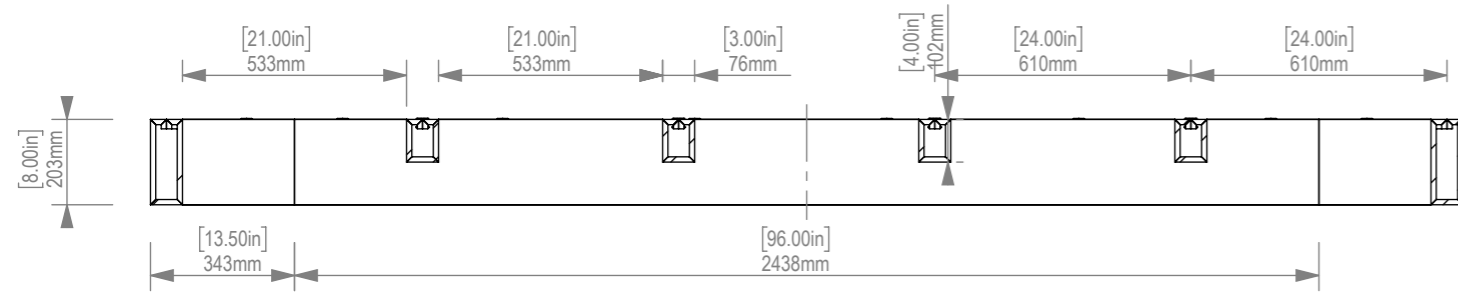
CLIENTS APPROVAL

SIGNATURE

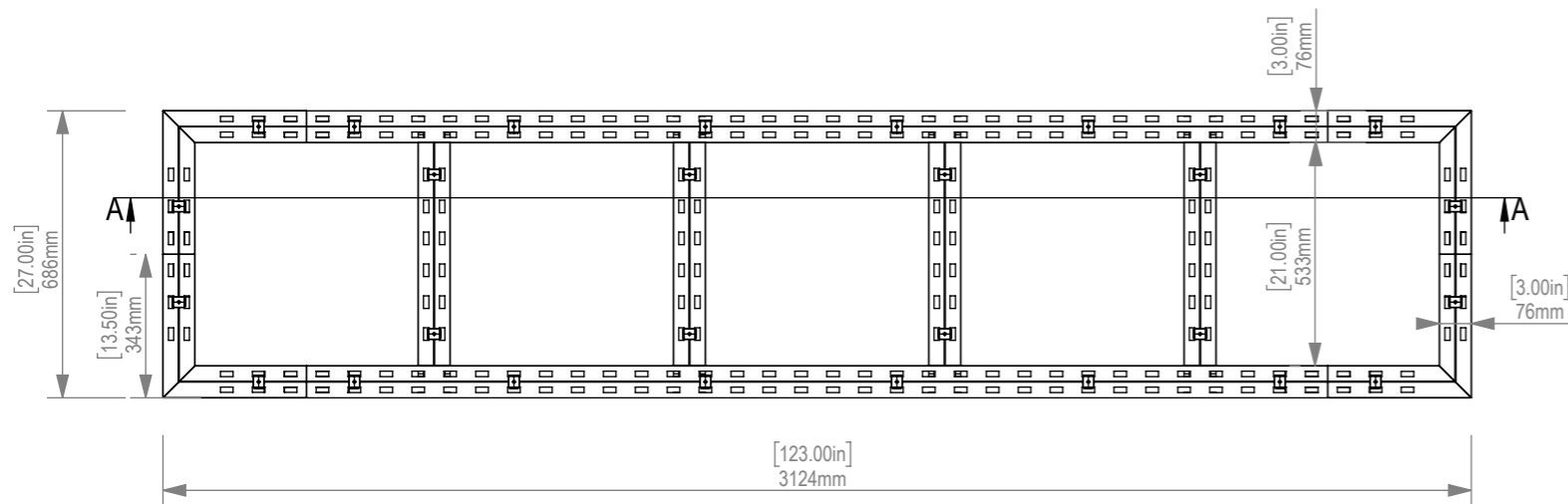
DATE

PLEASE MAKE SURE THAT ALL DIMENSIONS AND INFORMATION
MATCHES THE PROJECT AND SIGN FOR APPROVAL

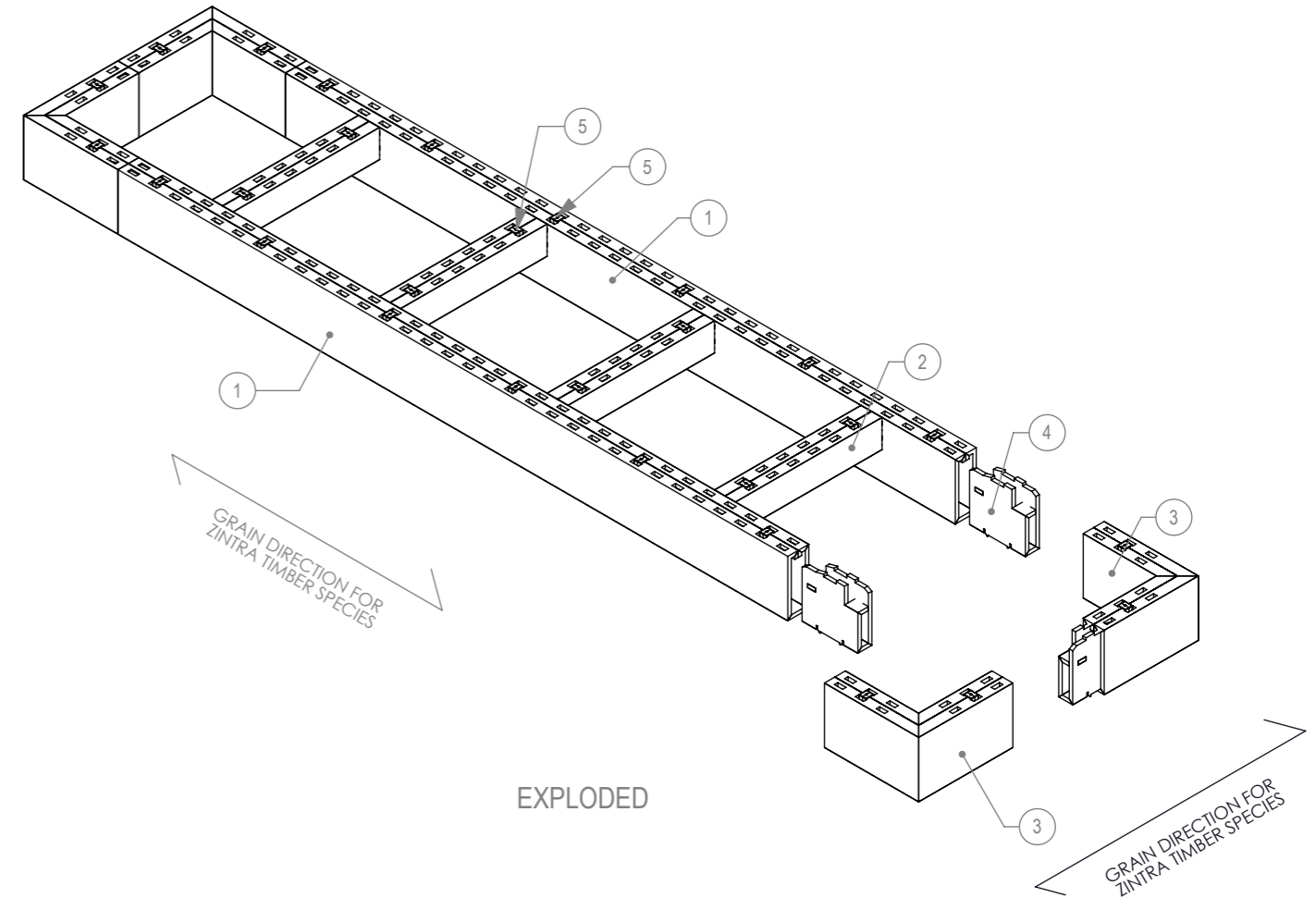
ITEM NO.	Description	Material	Finish	QTY.
1	96in x 8in Main Beam	ZINTRA	AS PER ORDER	2
2	21in x 4in Connecting Beam	ZINTRA	AS PER ORDER	4
3	13.5in x 8in Corner Beam	ZINTRA	AS PER ORDER	4
4	8in Beam Connector	ZINTRA	AS PER OREDER	6
5	Beams Clip	POLYCARBONATE	CLEAR	28



SECTION A-A



TOP VIEW



EXPLODED