



zintraacoustic.com

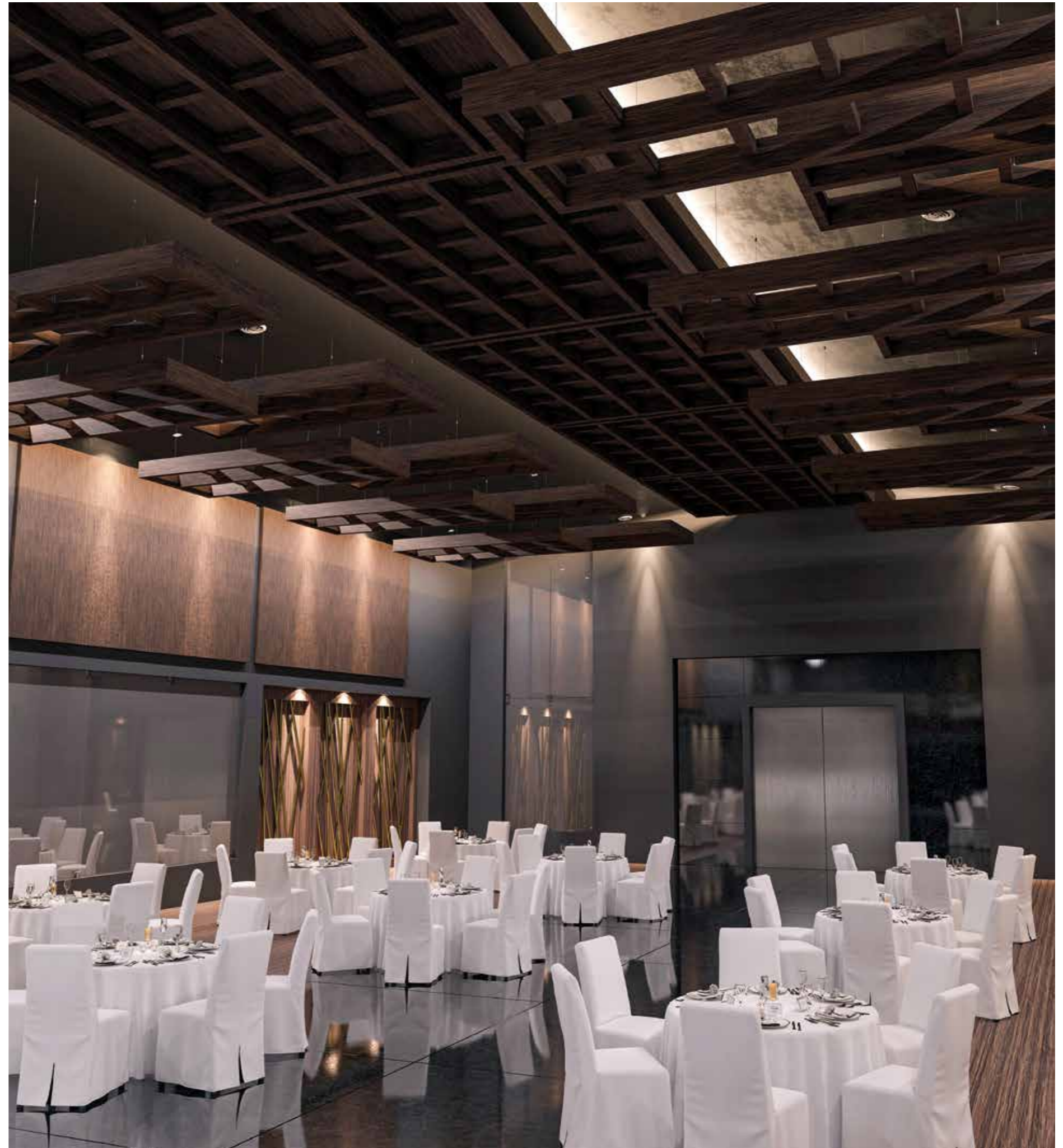
zintra[®]
BEAMS

Large spaces need acoustic solutions with scale. Beams do exactly that, with more substantial proportions, that convey a sense of structure and architectural largesse. The modular designs are available in a range of configurations and come with connectors that let you tailor them to individual spaces.

Beams have been specifically designed to offer superior acoustics by acting as a porous sound absorber across the full frequency range, dramatically increasing the NRC rating up to a maximum of 1.5.

Made from Zintra, Beams have been independently tested so that you know they're made from 100% recyclable materials, have low levels of VOC, don't contain formaldehyde, and are Class A fire rated.

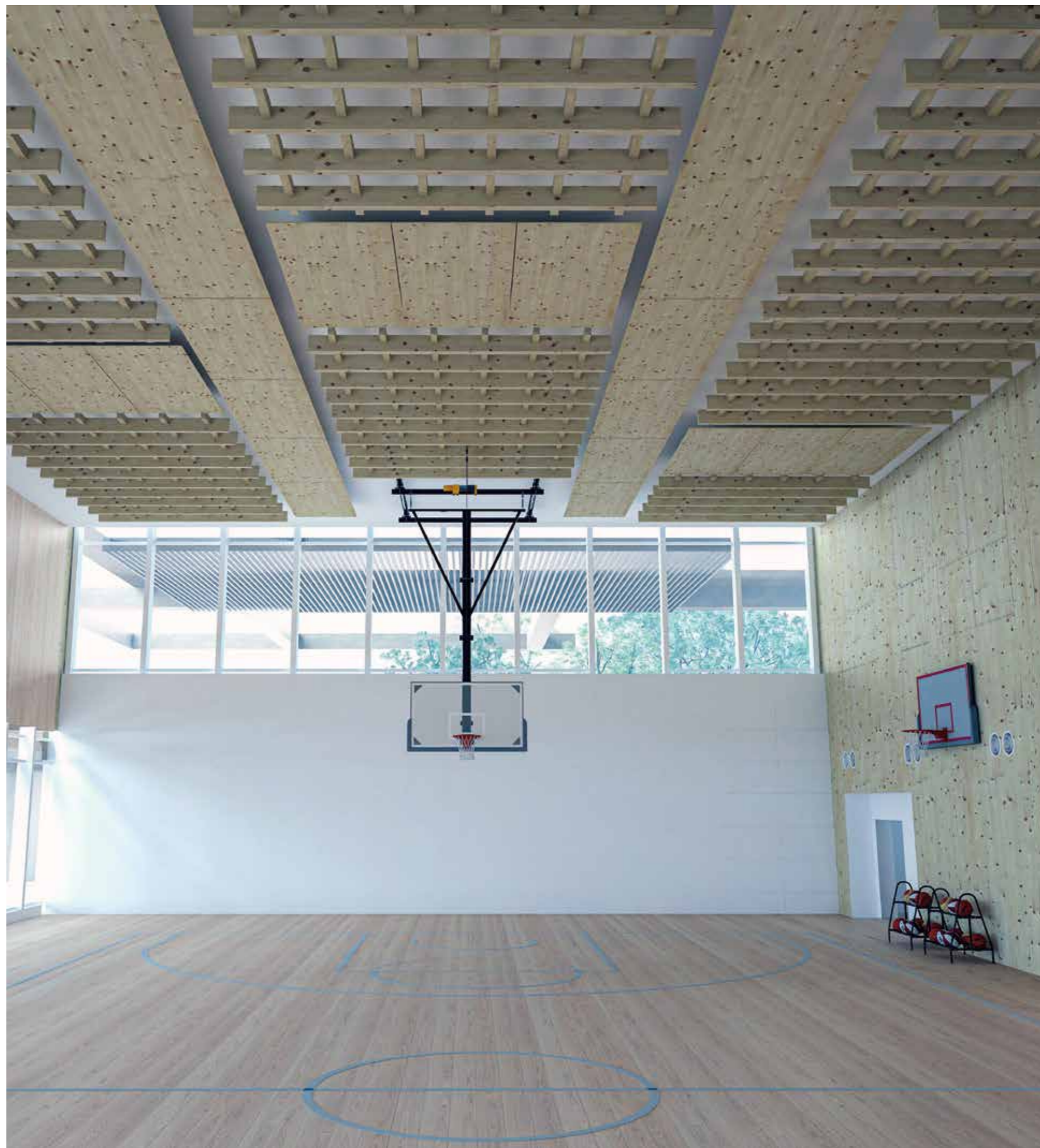
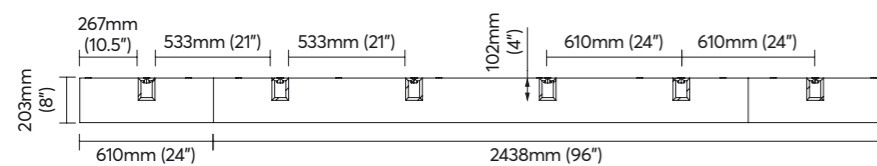
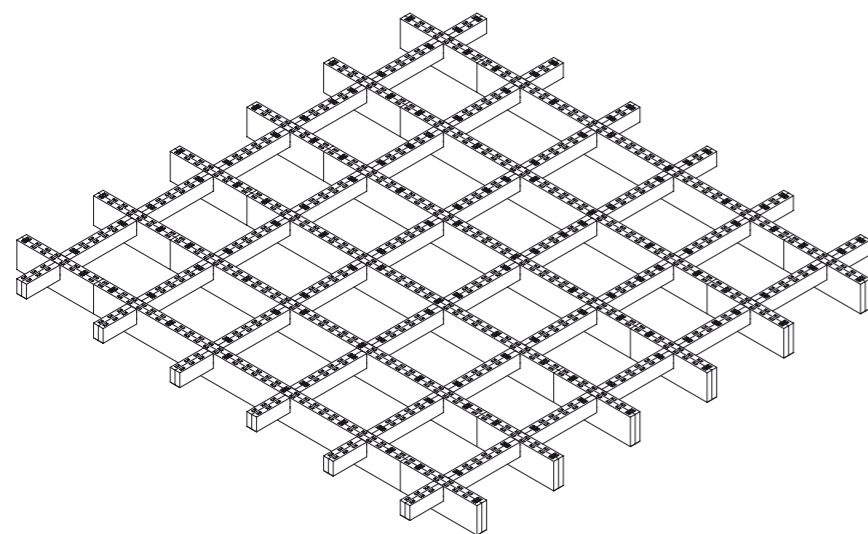
They're lightweight and come in a range of 24-colors, and realistic wood prints that give you the choice of creating anything from progressive ceiling features to exposed architectural beams.



2. Product: Zintra Closed Rafter & Coffers
Color: Premium Wood Print Palm Wood

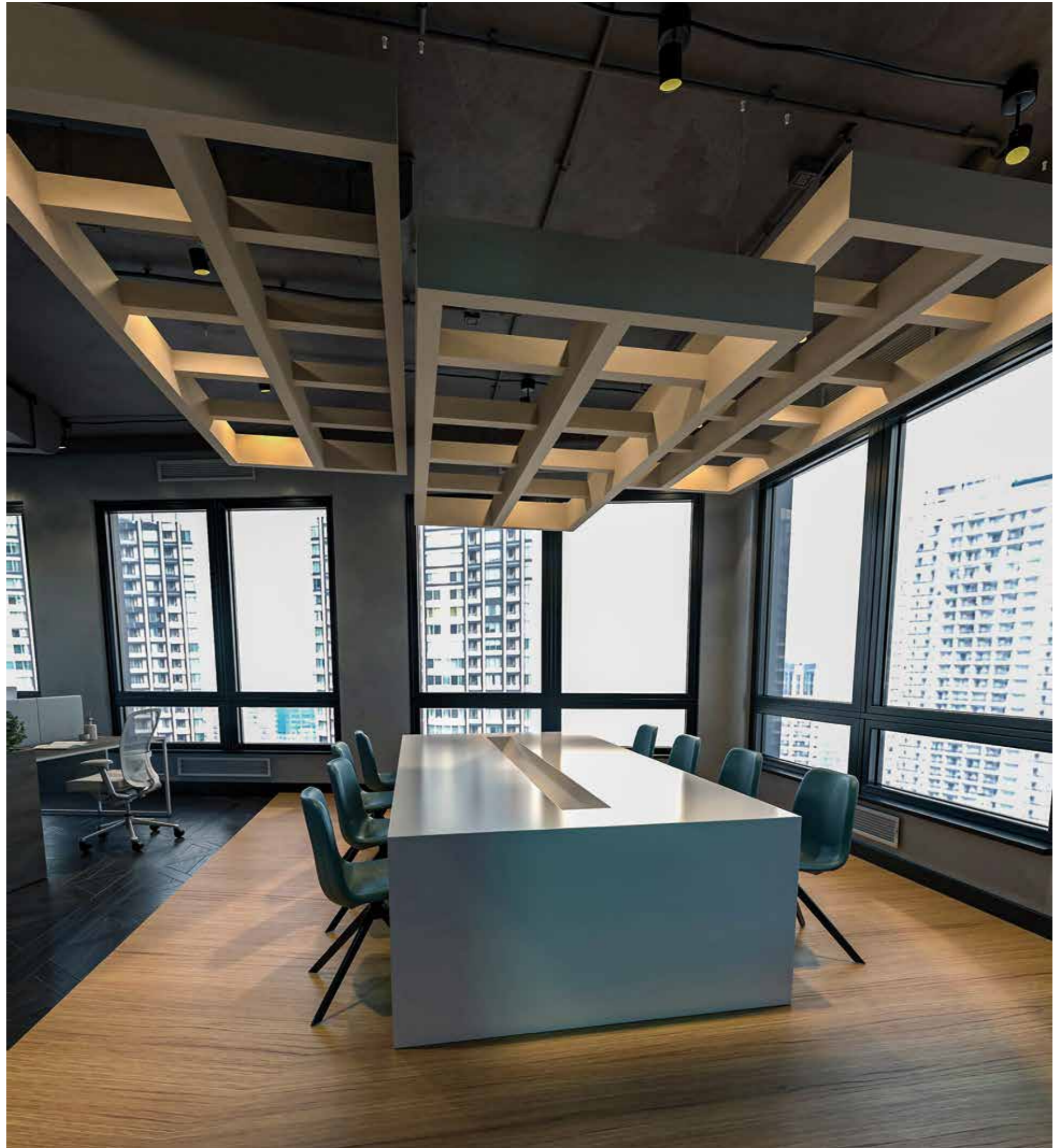
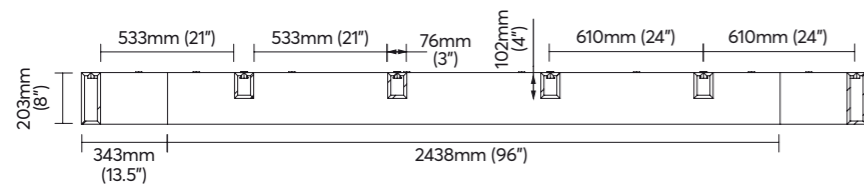
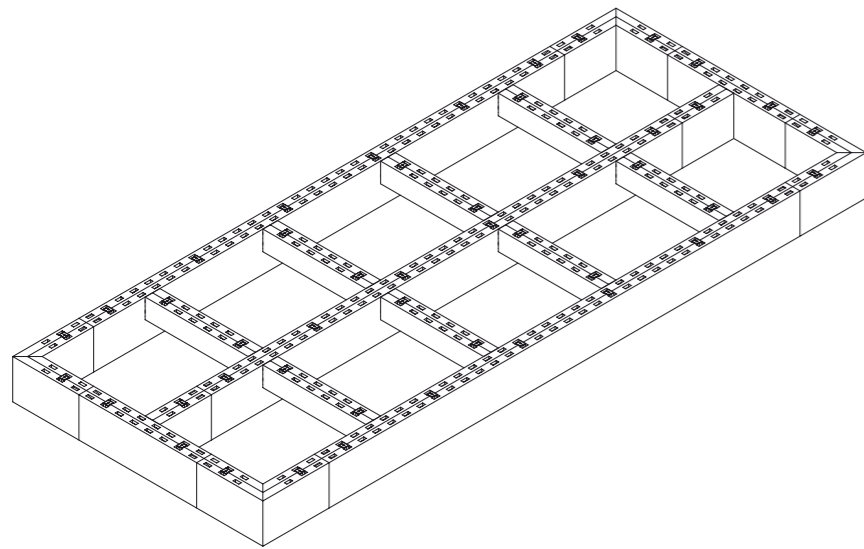
OPEN RAFTER

Configurations 1 x 5, 2 x 5, 3 x 5, 4 x 5 and 5 x 5.
Available with and without coffers.

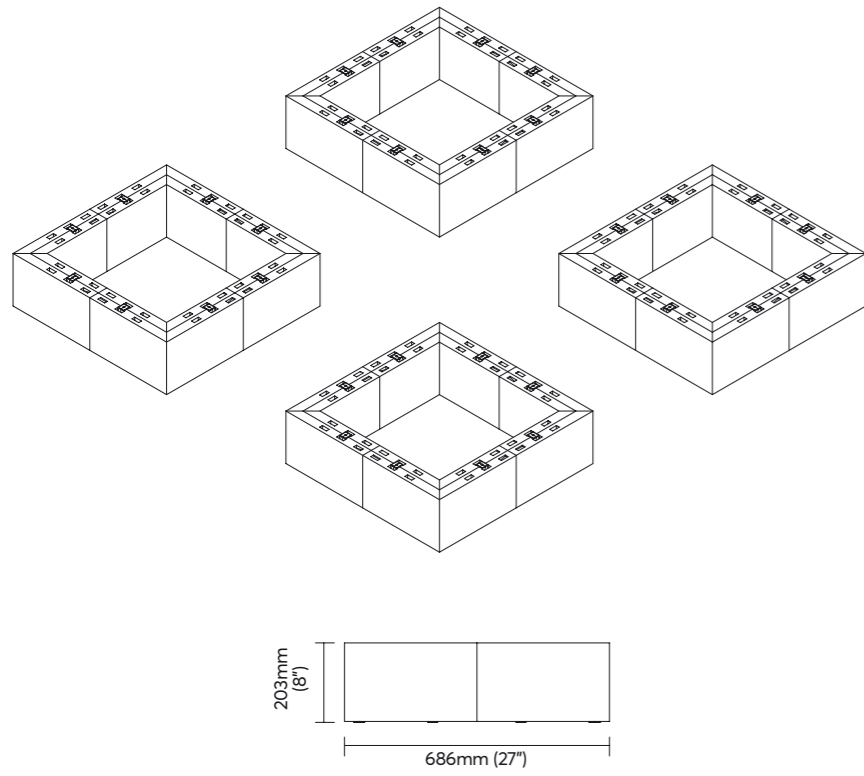


CLOSED RAFTER

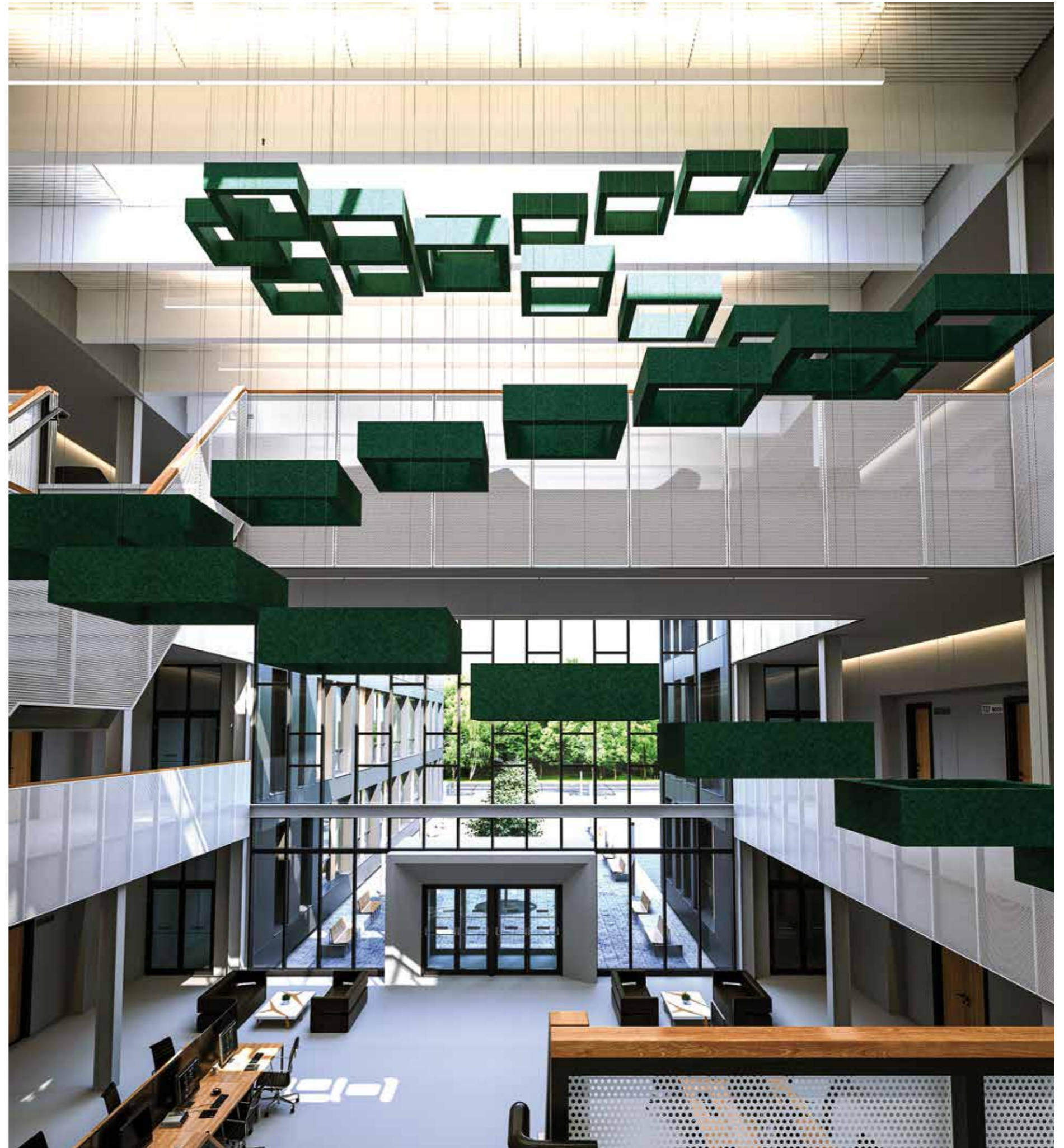
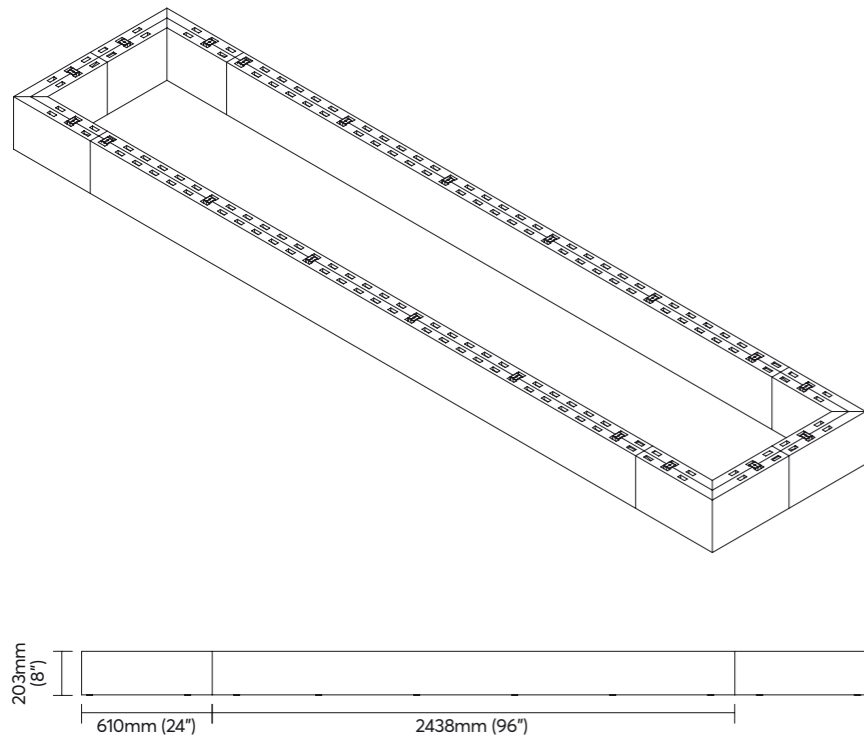
Configurations 1 x 5, 2 x 5, 3 x 5, 4 x 5 and 5 x 5.
Available with and without coffers.



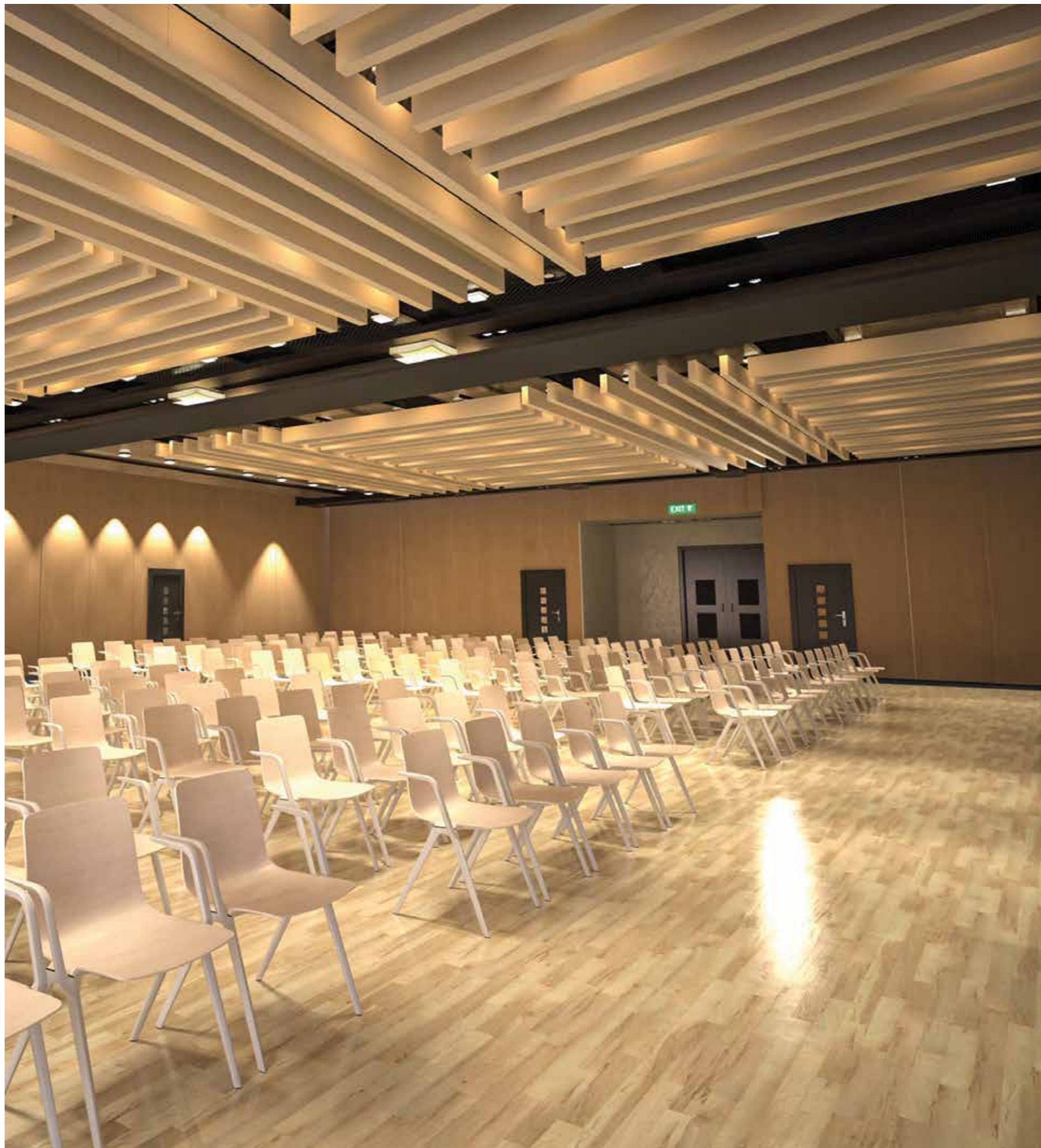
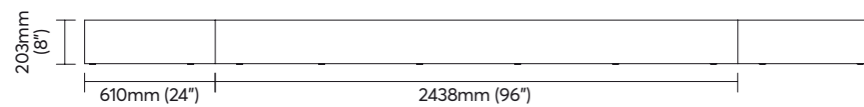
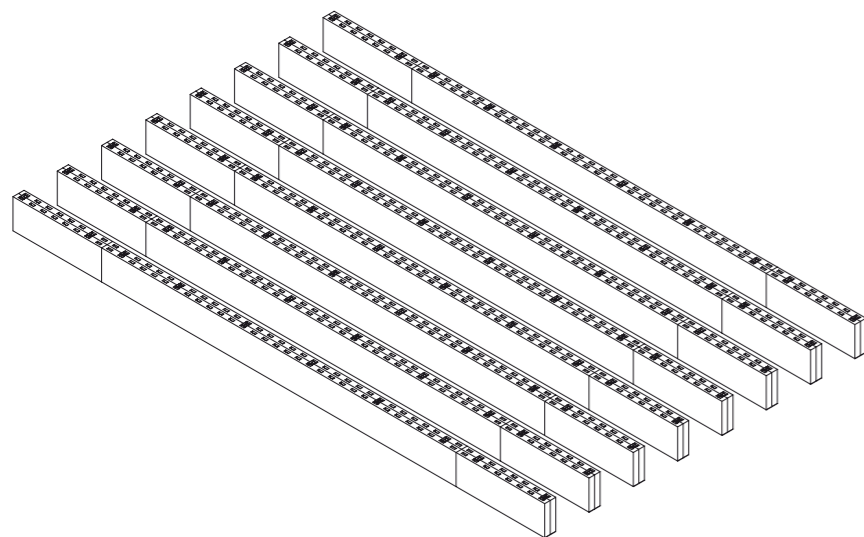
SQUARE BEAM



RECTANGLE BEAM



PARALLEL BEAM



Plain Colors



Premium Wood Print & Timber

PREMIUM WOOD PRINT: Made to order realism with high resolution photography printed single or double sided. Matching edge banding available.



TIMBER: Stocked wood grain, printed single or double sided.

Specifications

	CLOSED RAFTER	OPEN RAFTER	PARALLEL RAFTER
Configurations:	1 x 5 2 x 5 3 x 5 4 x 5 5 x 5	1 x 5 2 x 5 3 x 5 4 x 5 5 x 5	1 x 8
Width	144" (3600mm) 120" (3000mm) 96" (2400mm) 72" (1800mm) 48" (1200mm)	144" (3600mm) 120" (3000mm) 96" (2400mm) 72" (1800mm) 48" (1200mm)	144" (3600mm)
Length	144" (3600mm)	123" (3075mm)	87" (2175mm)
Depth	8" (200mm)	8" (200mm)	8" (200mm)
NRC Rating	NRC 1.0 NRC 1.5 with Coasters	NRC 1.0 NRC 1.5 with Coasters	Up to NRC 1.0
Material	Zintra Acoustic Panel – 100% Solution Dyed (Color Through) Polyester		
PET Thickness	½" (12mm)		
Application	Indoor Only		
Plain Colors	24		
Timber Print	4		
Premium Wood Print	12		
Customizable Print	Yes – get in touch to chat through your project requirements		
Assembly Required	Yes		
Fire Rating	ASTM-E84 – Class A classification AS ISO 9705 – 2003 – Group 1 classification EN-13501 – B-s2-d0 classification		
Lightfastness	AATCC 16.3, Option 3: Zintra ½" (12mm) Panel color change at 40AFU is 4.5		
Temperature	Maximum temperature exposure is 240°F (115°C)		
Moisture Absorption	Polyester fibre when exposed to an atmosphere of 120°F (49°C) at 90% relative humidity for four days showed moisture absorption of less than 0.03% by weight		
VOC Testing	Standard Method Version 1.2 for CDPH 01350: PASS for all testing scenarios		
Care Instructions	Dab Zintra with a damp clean cloth and mild solution of liquid detergent and warm water. Repeat using only clean water, then pat dry with a lint free cloth. For difficult stains, use a solution of household bleach (10% bleach / 90% water). To remove the bleach, repeat using a clean, water dampened cloth, then pat dry. Always test in an inconspicuous area first and if you don't see the expected results, contact us.		
Warranty	5 years		

	RECTANGLE BEAM	SQUARE BEAM	COFFER
Configurations:	1 x 1	Set of 4	Set of 8 Coasters to fit Openor Closed Rafters or Square Beam
Width	27" (675mm)	27" (675mm)	22" (550mm)
Length	123" (3075mm)	27" (675mm)	22" (550mm)
Depth	8" (200mm)	8" (200mm)	8" (200mm)
NRC Rating	NRC 1.0	NRC 1.0 NRC 1.5 with Coasters	Not Applicable
Material	Zintra Acoustic Panel – 100% Solution Dyed (Color Through) Polyester		
PET Thickness	½" (12mm)		
Application	Indoor Only		
Plain Colors	24		
Timber Print	4		
Premium Wood Print	12		
Customizable Print	Yes – get in touch to chat through your project requirements		
Assembly Required	Yes		
Fire Rating	ASTM-E84 – Class A classification AS ISO 9705 – 2003 – Group 1 classification EN-13501 – B-s2-d0 classification		
Lightfastness	AATCC 16.3, Option 3: Zintra ½" (12mm) Panel color change at 40AFU is 4.5		
Temperature	Maximum temperature exposure is 240°F (115°C)		
Moisture Absorption	Polyester fibre when exposed to an atmosphere of 120°F (49°C) at 90% relative humidity for four days showed moisture absorption of less than 0.03% by weight		
VOC Testing	Standard Method Version 1.2 for CDPH 01350: PASS for all testing scenarios		
Care Instructions	Dab Zintra with a damp clean cloth and mild solution of liquid detergent and warm water. Repeat using only clean water, then pat dry with a lint free cloth. For difficult stains, use a solution of household bleach (10% bleach / 90% water). To remove the bleach, repeat using a clean, water dampened cloth, then pat dry. Always test in an inconspicuous area first and if you don't see the expected results, contact us.		
Warranty	5 years		

zintra[®]

BEAMS

+1 855 922 7377

hello@zintraacoustic.com

zintraacoustic.com

Product: Zintra Square Beams | Color: Premium Wood Print Rustic Walnut

