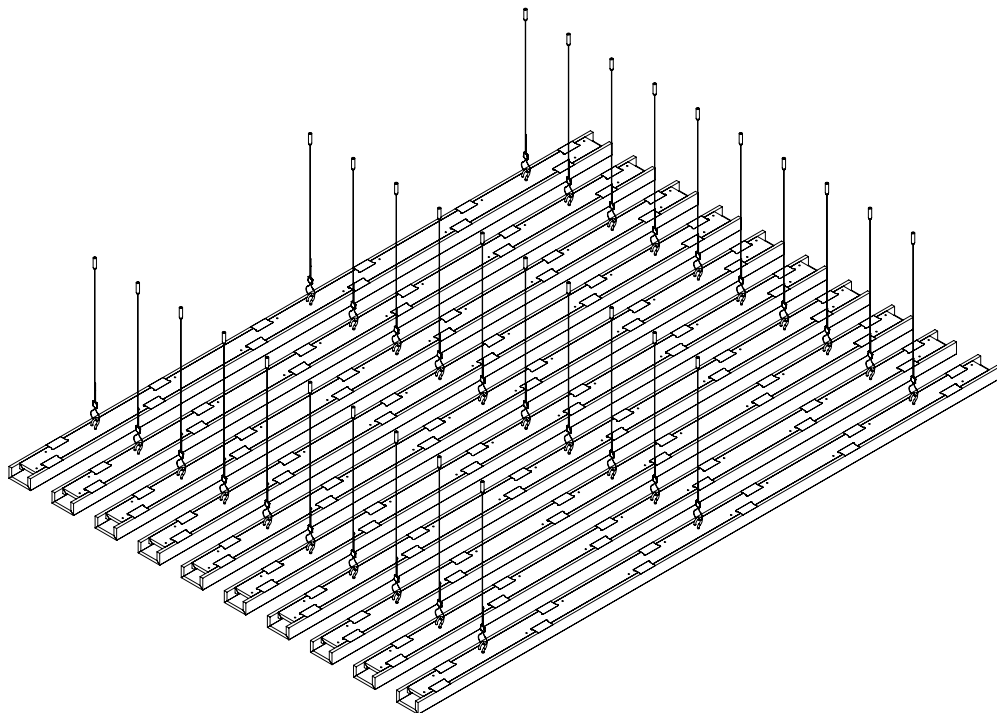
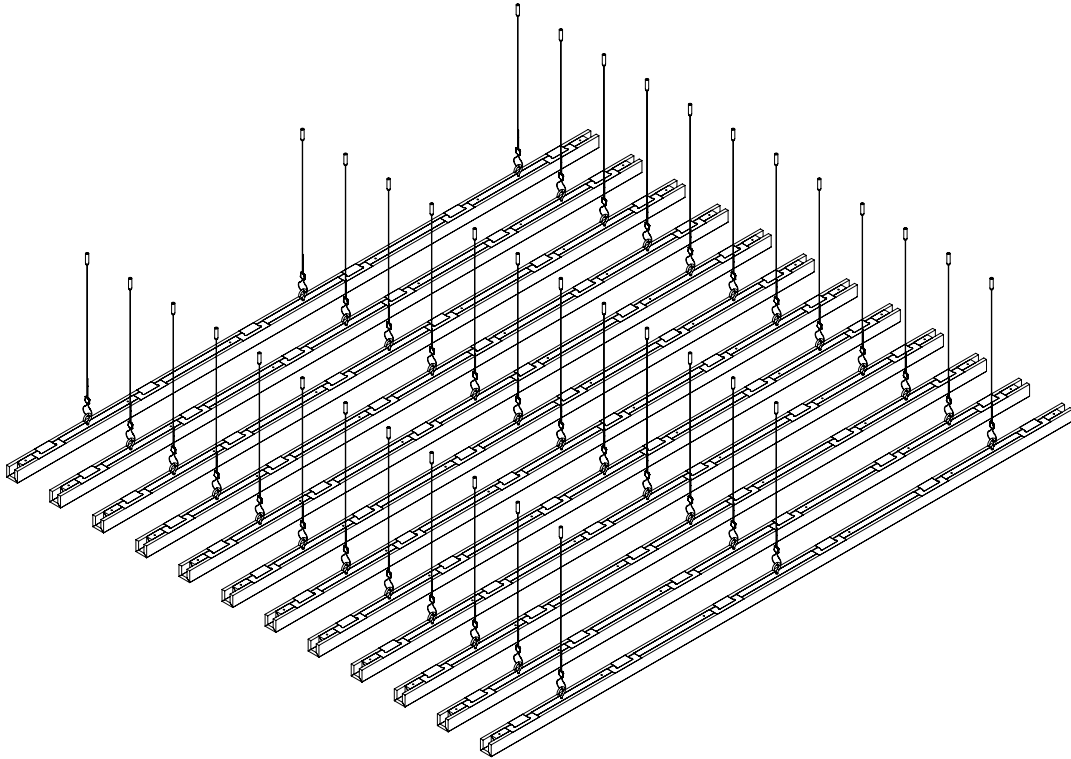


ZINTRA STICKS

INDEPENDENT - NARROW & WIDE

CUP HOOK INSTALLATION INSTRUCTIONS

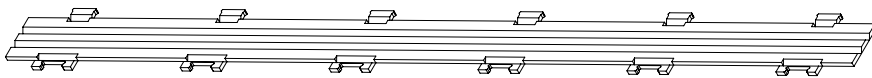


PARTS AND HARDWARE

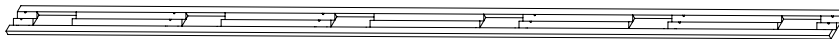
FOR A TYPICAL ASSEMBLY

ZINTRA STICKS

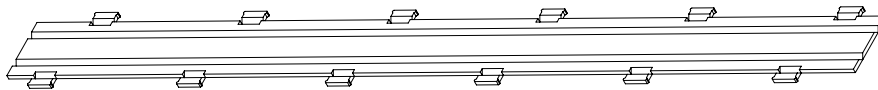
NARROW STICK - (12)



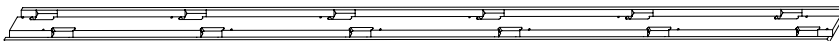
NARROW MOUNTING STICK - (12)



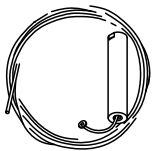
WIDE STICK - (10)



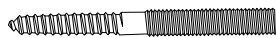
WIDE MOUNTING STICK - (10)



(3 PER STICK) CABLES WITH SWAGED END, AND BARREL



(3 PER STICK) 1/4" - 20 HANGER BOLT



(FOR USE WITH WOOD SUBSTRATE ONLY)

(3 PER STICK) ADJUSTABLE FASTENER



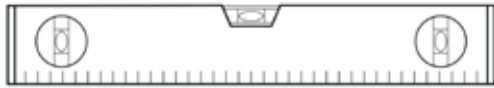
(3 PER STICK) CUP HOOK



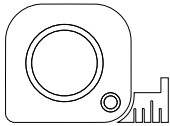
YOU WILL NEED

FOR A TYPICAL ASSEMBLY

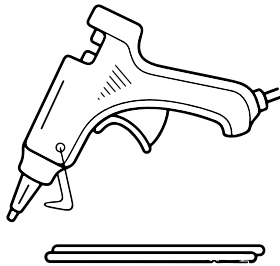
SPIRIT LEVEL



TYPE MEASURE



HOT GLUE GUN



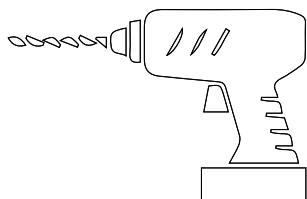
OPTIONAL:

SUITABLE SCREWS FOR DIFFERENT SURFACES - (50)

SCREWS ARE NOT INCLUDED - INSTALLER TO SUPPLY BASED ON FIXING SUBSTRATE



DRILL



ZINTRA STICKS

INDEPENDENT - NARROW & WIDE

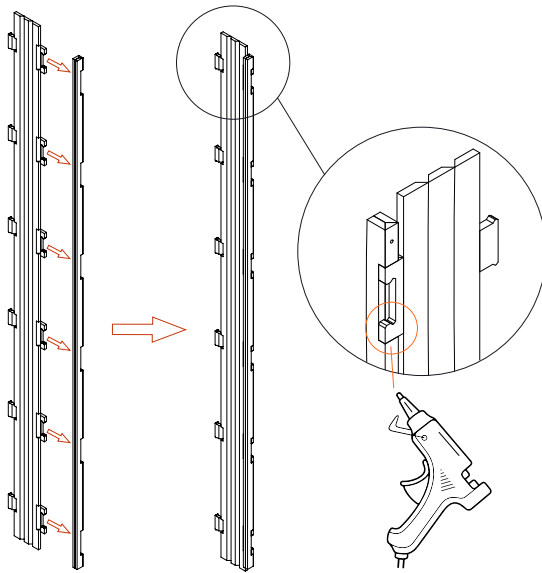
CUP HOOK INSTALLATION INSTRUCTIONS

STEP 1

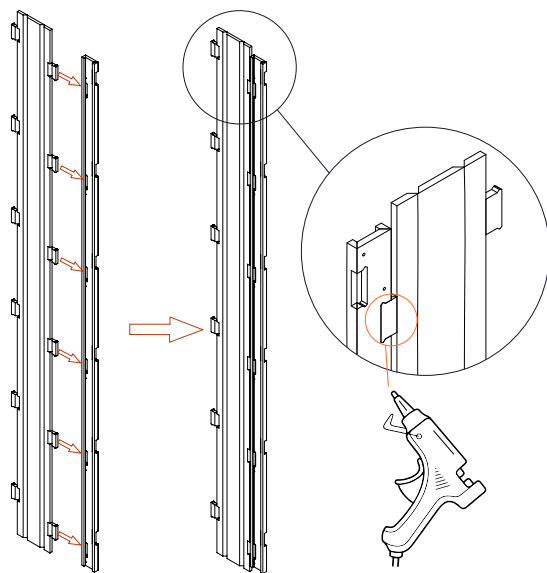
INDEPENDENT STICK INSTALL

INSERT ZINTRA INDEPENDENT NARROW OR WIDE STICK INTO NOTCHES USE HOT GLUE TO SECURE. AS SHOWN.

NARROW VERSION



WIDE VERSION

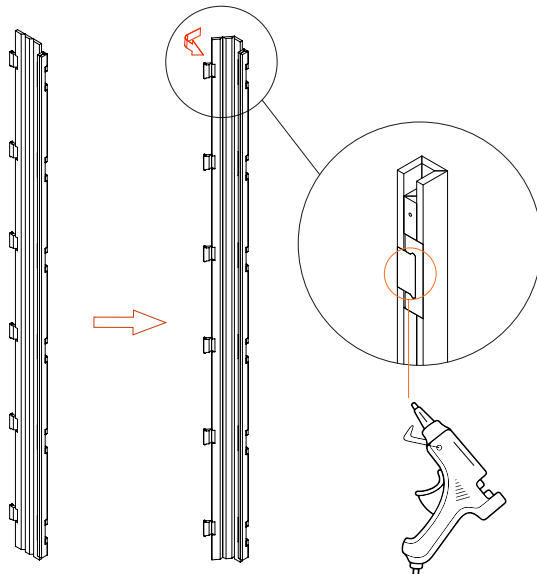


STEP 2

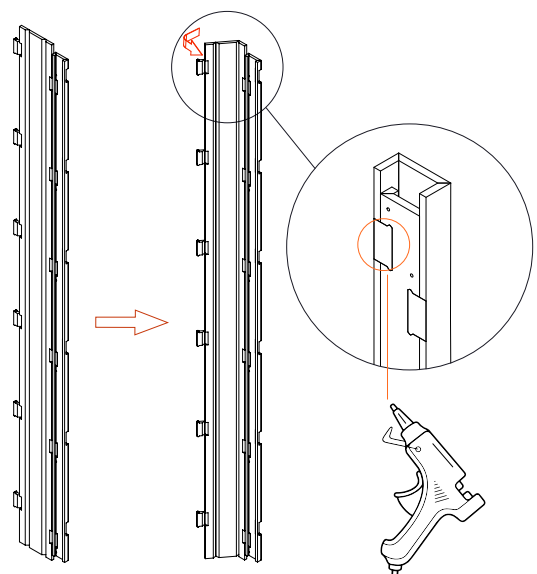
INDEPENDENT STICK INSTALL

FOLD INDEPENDENT NARROW OR WIDE STICK AROUND THE MOUNTING STICK AND INSERT INTO NOTCHES ON OTHER SIDE USE HOT GLUE TO SECURE. AS SHOWN.

NARROW VERSION



WIDE VERSION



ZINTRA STICKS

INDEPENDENT - NARROW & WIDE

CUP HOOK INSTALLATION INSTRUCTIONS

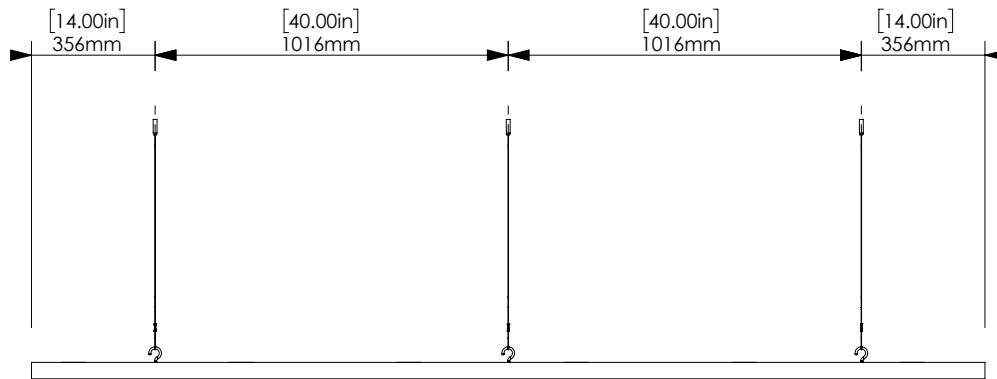
STEP 3

INDEPENDENT STICK INSTALL

MARK HANGER LOCATION ON INDEPENDENT STICK CORRESPONDING TO AVAILABLE HANGING LOCATIONS IN CEILING.
NOTE: CABLES MUST HANG PLUMB.

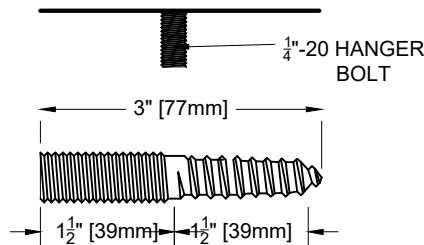
SCREW CUP HOOKS INTO INDEPENDENT STICKS AT THESE LOCATIONS.

RECOMMENDED SPACING.

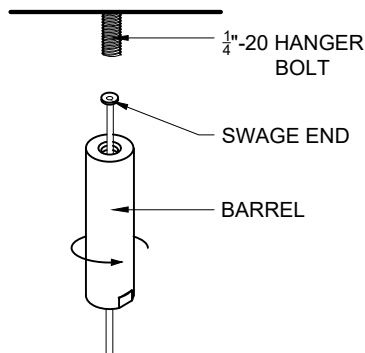


STEP 4

INSTALL THE 1/4"-20 HANGER BOLTS TO THE SUBSTRATE. THE SUPPLIED HANGER BOLTS ARE INTENDED FOR USE IN WOOD ONLY. FOR OTHER SUBSTRATES THE INSTALLER WILL NEED TO SOURCE THE APPROPRIATE HARDWARE.



2.2 IDENTIFY THE THREADED END OF THE BARREL AND THE SWAGE END OF THE CABLE. INSERT THE PLAIN END OF THE SUPPLIED WIRE THROUGH THE LARGE THREADED END OF THE BARREL UNTIL IT IS FULLY SEATED IN THE BARREL. ATTACH THE THREADED END OF THE BARREL TO THE 1/4"-20 HANGER BOLT.



ZINTRA STICKS

INDEPENDENT - NARROW & WIDE

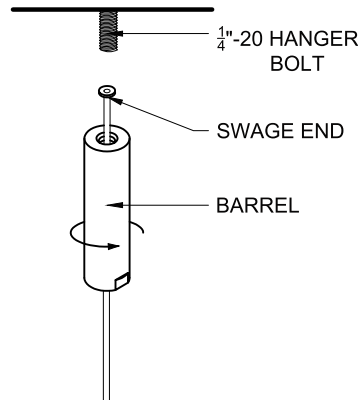
CUP HOOK INSTALLATION INSTRUCTIONS

STEP 5

A. IDENTIFY THE THREADED END OF THE BARREL AND THE SWAGE END OF THE WIRE.

B. INSERT THE PLAIN END OF THE SUPPLIED WIRE THROUGH THE LARGE THREADED END OF THE BARREL UNTIL THE SWAGE END IS SEATED IN THE BARREL.

C. ATTACH THE THREADED END OF THE BARREL TO 1 / 4"-20 HANGER BOLT.

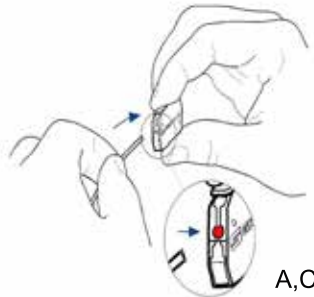


STEP 6

A. INSERT THE PLAIN END OF THE SUPPLIED WIRE THROUGH ONE SIDE OF THE ADJUSTABLE FASTENER

B. REINSERT THE PLAIN END OF THE WIRE INTO THE REMAINING SIDE OF THE ADJUSTABLE FASTENER AND ADJUST TO MAKE A LOOP

C. HANG THE BAFFLES BY THE CUP HOOKS THROUGH THE LOOPS CREATED



A,C

B

STEP 7

ONCE THE INDEPENDENT STICK IS PROPERLY SUSPENDED AND LEVEL IS CHECKED USING A SPIRIT LEVEL, ENSURE THE CABLE TENSION IS ALL EQUAL AND NO BOWING IS OCCURRING

TRIM THE EXCESS WIRE WITH WIRE CUTTERS

NOTE: WIRE IS INDEFINITELY ADJUSTABLE BY DEPRESSING TAB ON APPROPRIATE SIDE

