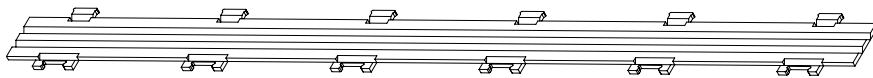


## PARTS AND HARDWARE

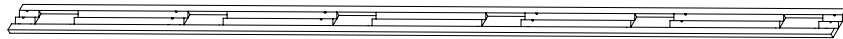
*FOR A TYPICAL ASSEMBLY*

ZINTRA STICKS

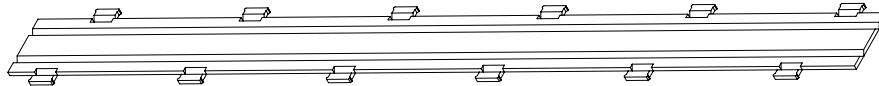
NARROW STICK - (12)



NARROW MOUNTING STICK - (12)



WIDE STICK - (10)



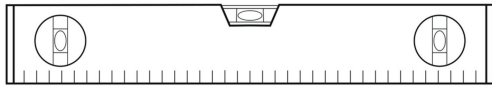
WIDE MOUNTING STICK - (10)



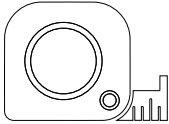
## YOU WILL NEED

FOR A TYPICAL ASSEMBLY

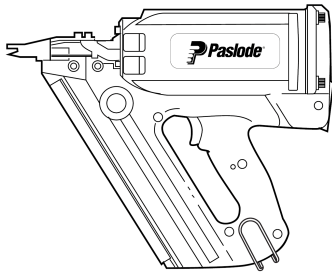
SPIRIT LEVEL



TYPE MEASURE



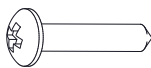
CORDLESS FRAMING NAILER



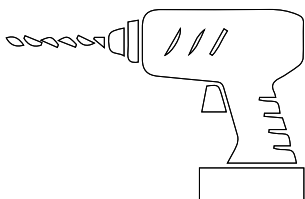
OPTIONAL:

SUITABLE SCREWS FOR DIFFERENT SURFACES - (50)

*SCREWS ARE NOT INCLUDED - INSTALLER TO SUPPLY BASED ON FIXING SUBSTRATE*



DRILL



### STEP 1

#### MOUNTING STICK INSTALL

1.1 USE A LASER LEVEL OR SPIRIT LEVEL TO MARK INDEPENDENT MOUNTING STICK POSITION ON THE WALL.

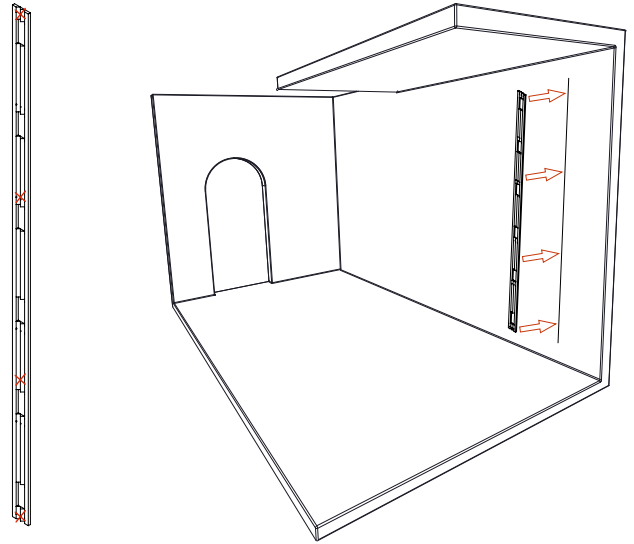
1.2 SECURE INDEPENDENT MOUNTING STICK TO WALL IN THE SUITABLE LOCATION FOR YOUR SITE.

1.3. FIX TO WALL WITH CORDLESS FRAMING NAILER OR FASTENERS TO SUIT APPLICATION. IT IS RECOMMENDED TO HAVE FOUR POINTS FOR EACH INDEPENDENT MOUNTING STICK

NOTE: RECOMMENDED MINIMUM DISTANCE BETWEEN INDEPENDENT MOUNTING STICK CENTRES:

\*NARROW - 3.0" [ 76mm ]

\*WIDE - 5" [ 127mm ]

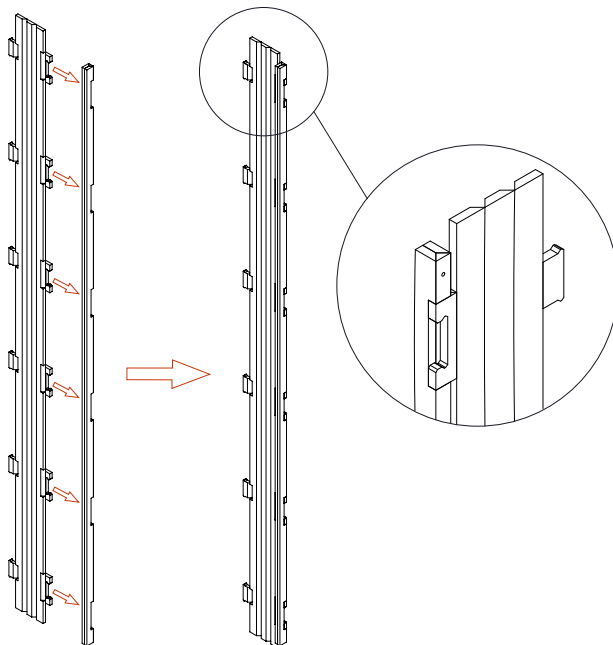


### STEP 2

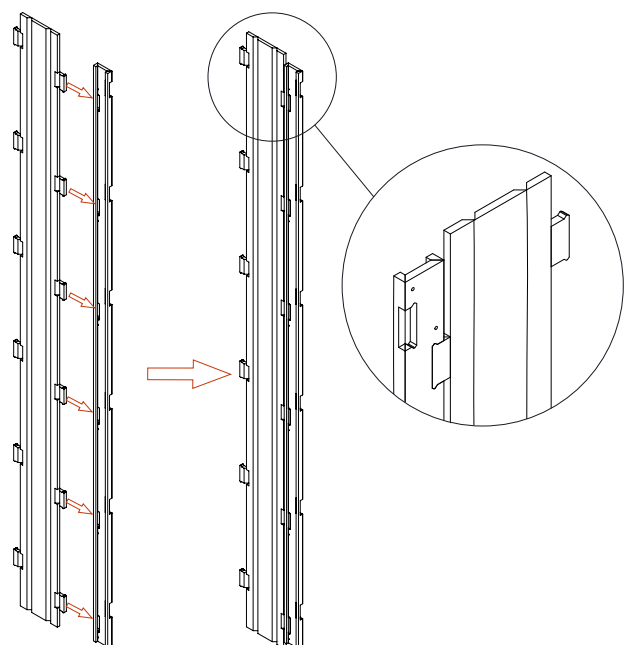
#### INDEPENDENT STICK INSTALL

ONCE MOUNTING STICK IS SECURE ON THE SURFACE INSERT ZINTRA INDEPENDENT NARROW OR WIDE STICK INTO NOTCHES. AS SHOWN.

NARROW VERSION



WIDE VERSION

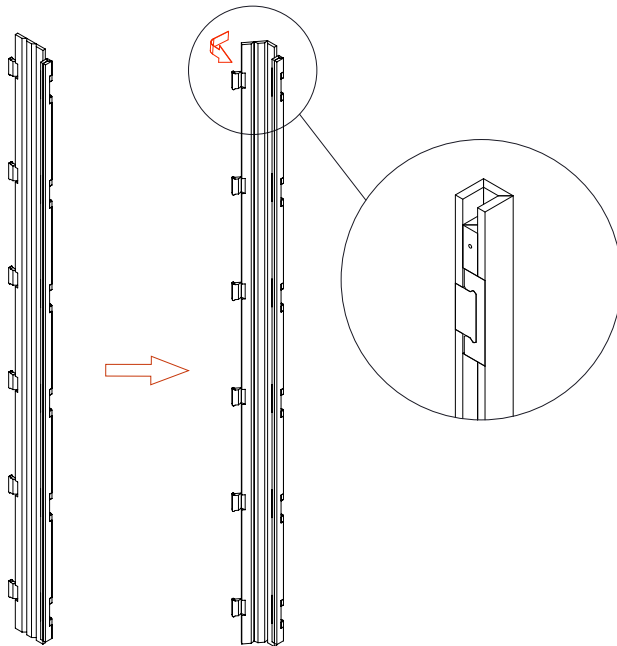


### STEP 3

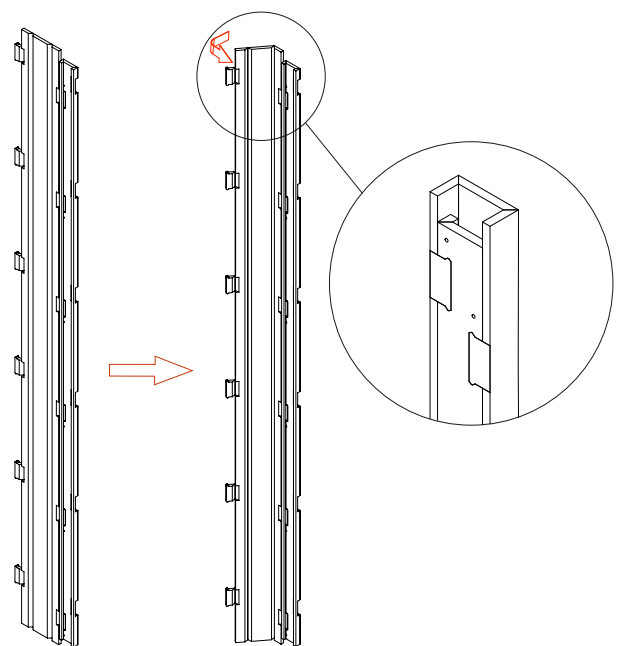
#### INDEPENDENT STICK INSTALL

FOLD INDEPENDENT NARROW OR WIDE STICK AROUND THE MOUNTING STICK AND INSERT INTO NOTCHES ON OTHER SIDE. AS SHOWN.

NARROW VERSION



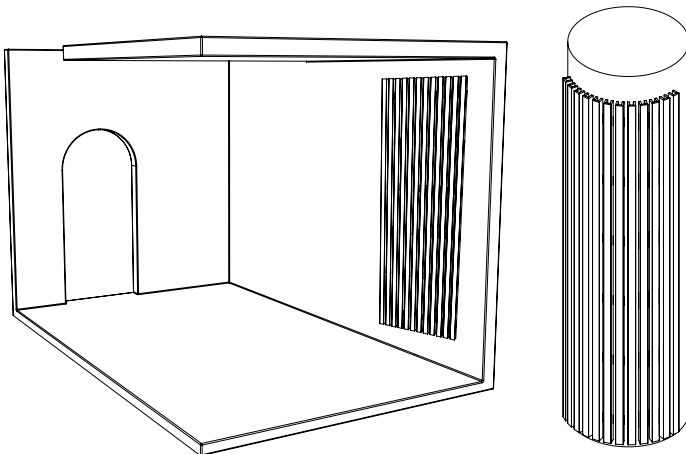
WIDE VERSION



### FINAL STEP

REPEAT STEPS 1 - 3 FOR EACH ZINTRA INDEPENDENT STICK UNTIL THE ENTIRE ASSEMBLY HAS BEEN COMPLETED .

ZINTRA STICKS INDEPENDENT - NARROW



ZINTRA STICKS INDEPENDENT - WIDE

