

**MATERIALS & HARDWARE**

**MATERIAL THICKNESS:**

12mm [1/2"]

**TOP LAYER COLOR:**

Zintra Timber

**BASE LAYER COLOR:**

N/A

**QUANTITY OF SHEETS USED:**

**DESIGN/PATTERN:**

STICKS - SUSPENSION KIT

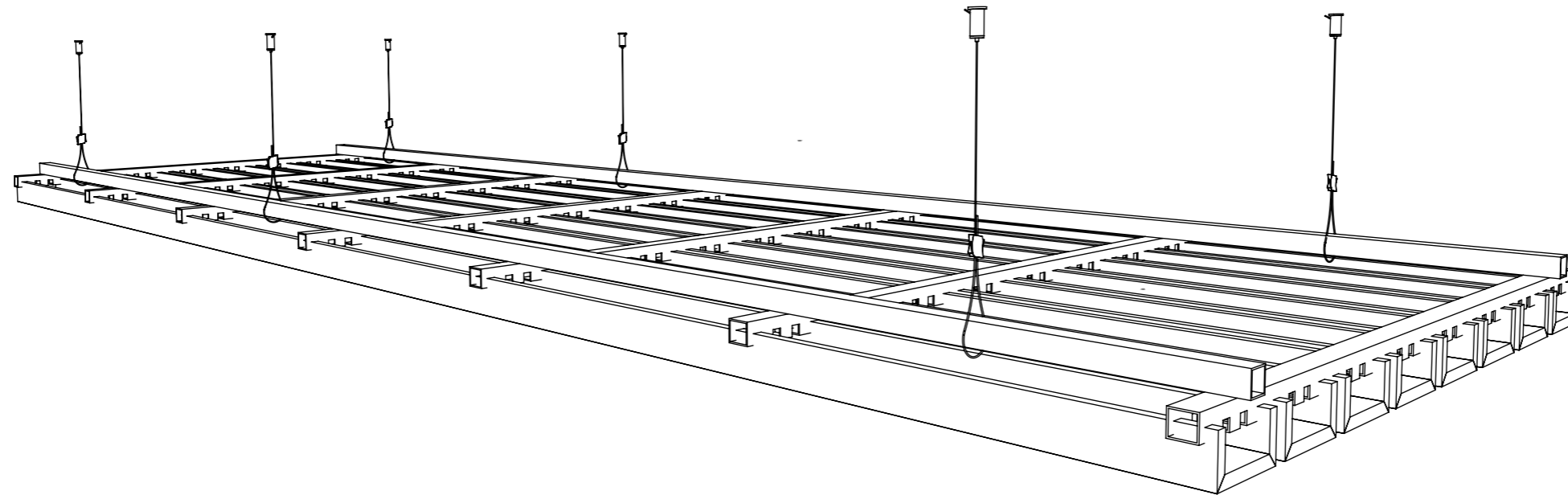
**HARDWARE:**

(7) notched 1" Sq. Aluminium Tube, Clear anodised

(2) 1" Sq. Aluminium Tube, Clear anodised

(6) Adjustable cable wires

(14) 90769A164 STEEL PHILLIPS ROUNDED HEAD DRILLING SCREW -MCMASTER CARR



PERSPECTIVE  
(note - sticks bundle is sold separately)

Tag:

P.O. NUMBER:

DATE: 11/02/2021

DESIGN:

CREATOR: TD

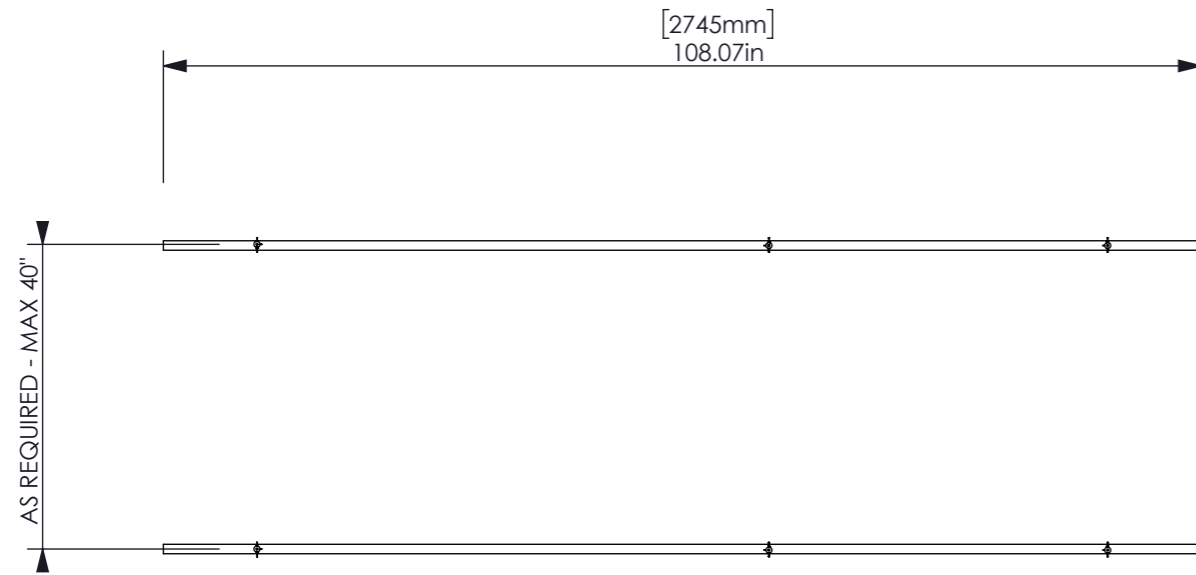
**CLIENT APPROVAL**

X \_\_\_\_\_  
DATE:

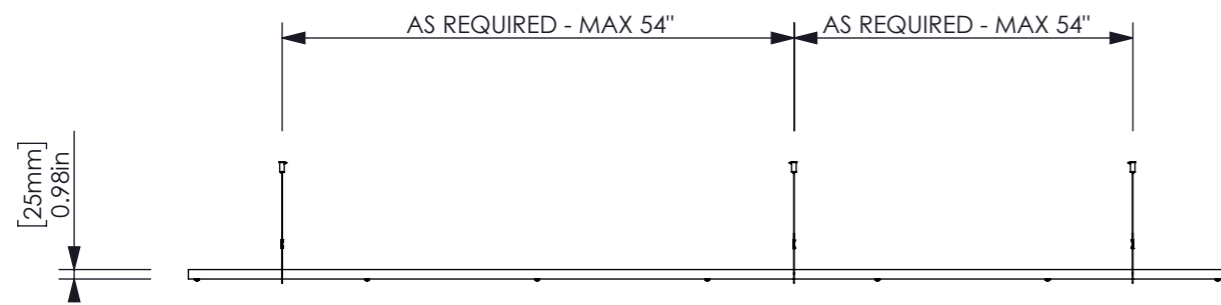
**REVISION**

DATE	NUMBER

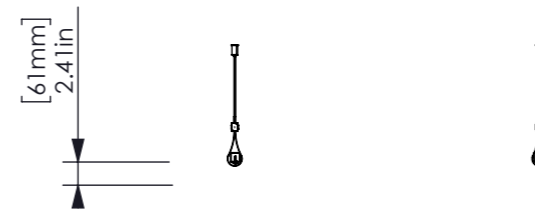
- TITLE



TOP VIEW



SIDE VIEW



FRONT VIEW

PERSPECTIVE  
(note - sticks bundle is sold separately)

Tag:

QTY:

P.O. NUMBER:

DATE: 11/02/2021  
DESIGN:  
CREATOR: TD

CLIENT APPROVAL

X \_\_\_\_\_  
DATE:

REVISION

DATE	NUMBER

- GA